



**TIMBERLINE**  
**TOOL®**

**TOPSIDE**  
TOP • SIDE • CLAMP

**800-735-6845**

## **TC2-SR TOPSIDE CLAMP**

**FOR PE GAS PIPE UP TO 2"**



**A Top-Down  
Approach to  
Maintenance**

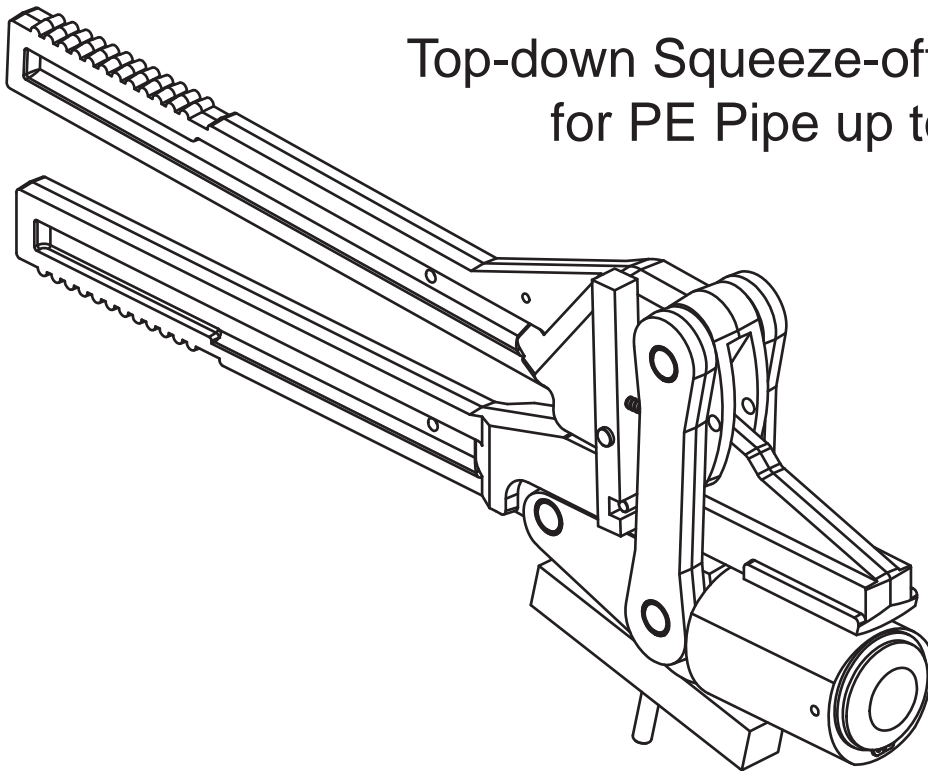
**With  
Additional Safety  
Locking Bar**



*Innovative Tool Technology*

# TC2-SR Specifications

## Top-down Squeeze-off Solutions for PE Pipe up to 2"



Slow release mechanism allows operator to control rate of release.

Patented mechanical operation for ease of use.

Top-down application requiring no under-the-pipe excavation.

Light weight for manual placement and operation by one person.

Aircraft-grade aluminum for high strength, corrosion resistance, and durability.

Large jaw radius provides squeeze-off at 15% pipe wall compression.

Self-locking mechanism prevents premature release.

Rotating sleeve adjusts for up to four different pipe sizes.

TopLatch mechanism for additional safety.

"Lock-out/Tag-out" capability for operator safety.



[www.timberlinetool.com](http://www.timberlinetool.com)

**800-735-6845**

### Timberline TC2-SR

Large Hand Tool

Length: 26.0 in (60.0 cm)

Width: 9.0 in (22.9 cm)

Weight: 12.0 lb (5.5 kg)

### Choose 4 pipe sizes.

Effective on Pipe Sizes

1/2" to 2" (12mm to 63mm) IPS

1/2" to 2" (12mm to 63mm) CTS

*Innovative Tool Technology*