



www.timberlinetool.com
1.800.735.6845

Top-down Squeeze-off Solutions

for PE Pipe up to 2"

Timberline TC2-SR

With Slow Release!

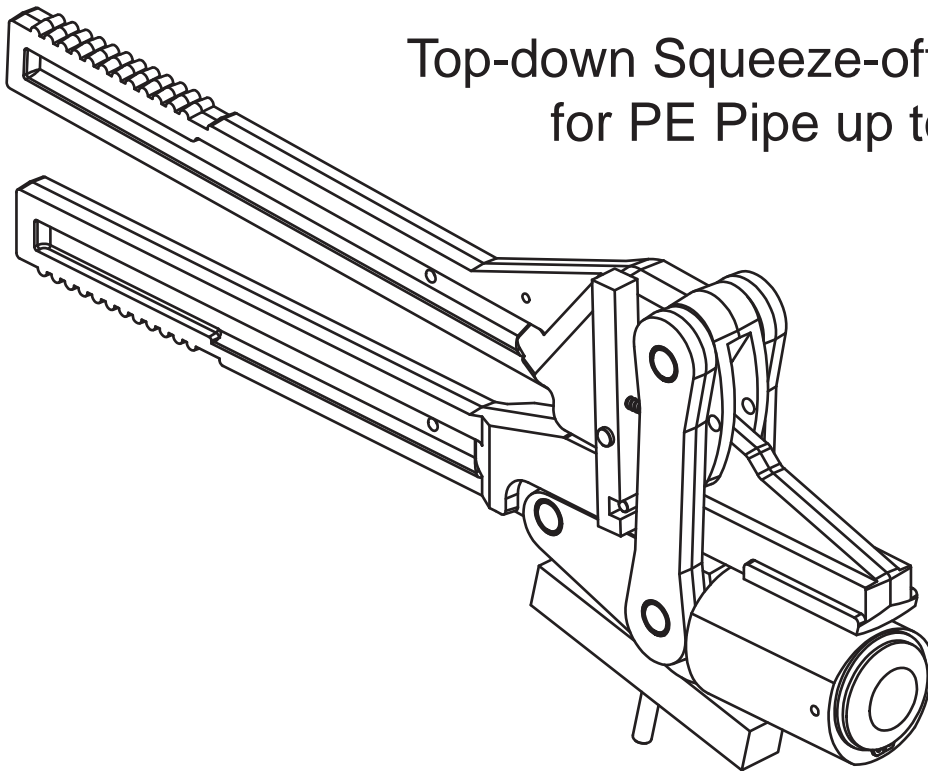


** Shown with optional grounding rod **

Innovative Tool Technology

TC2-SR Specifications

Top-down Squeeze-off Solutions for PE Pipe up to 2"



Slow Release Mechanism allows operator to control rate of release.

Mechanical operation for ease of use.

Top-down application requiring no under-the-pipe excavation.

Light weight for manual placement and operation by one person.

Aircraft-grade aluminum for high strength, corrosion resistance, and durability.

Large jaw radius provides squeeze-off at 15% pipe wall compression.

Self-locking mechanism prevents premature release.

Rotating sleeve adjusts for multiple pipe sizes.

TopLatch mechanism for additional safety

"Lock-out/Tag-out" capability for operator safety



Timberline TC2-SR

Large Hand Tool

Length: 26.0 in (60.0 cm)

Width: 9.0 in (22.9 cm)

Weight: 12.0 lb (5.5 kg)

Choose 4 pipe sizes.

Effective on Pipe Sizes

1/2" to 2" (12mm to 63mm) IPS

1/2" to 2" (12mm to 63mm) CTS