



www.timberlinetool.com  
1.800.735.6845

## Top-down Squeeze-off Solutions

for PE Pipe up to 2"

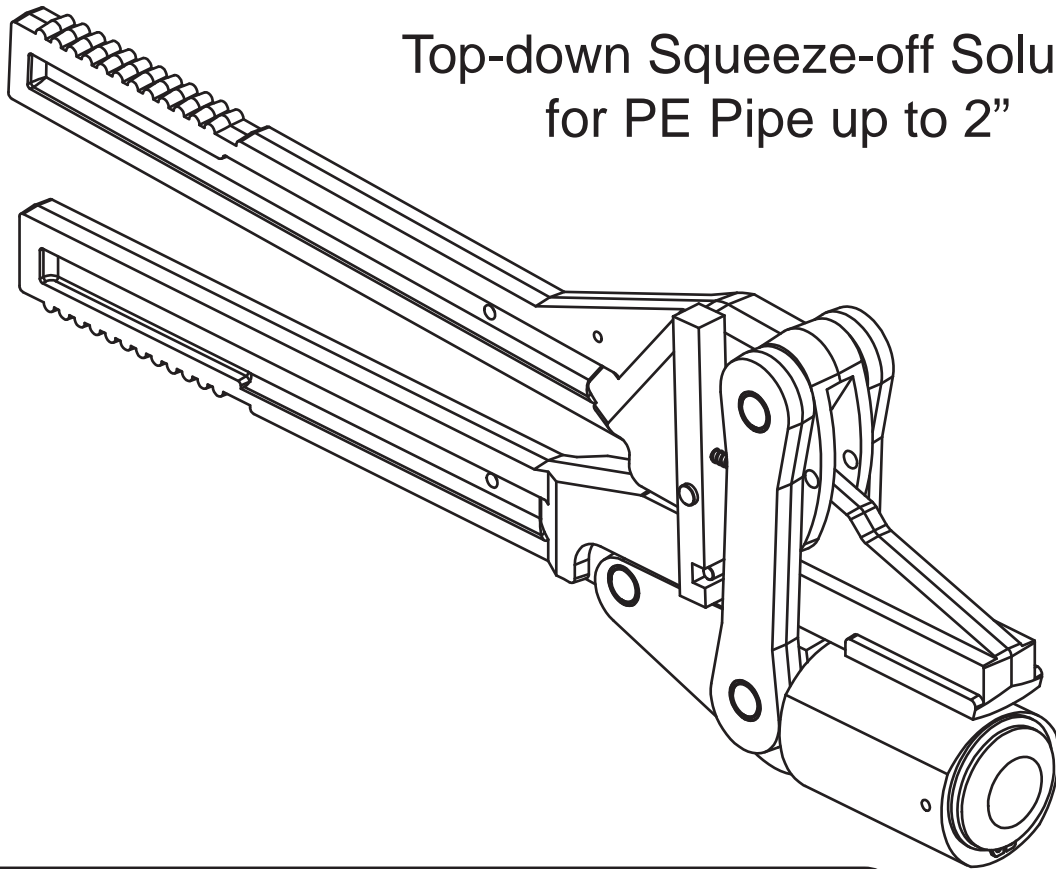
### Timberline TC2-S



*Innovative Tool Technology*

# TC2-S Specifications

## Top-down Squeeze-off Solutions for PE Pipe up to 2"



Mechanical operation for ease of use.

Top-down application requiring no under-the-pipe excavation.

Light weight for manual placement and operation by one person.

Aircraft-grade aluminum for high strength, corrosion resistance, and durability.

Large jaw radius provides squeeze-off at 15% pipe wall compression.

Self-locking mechanism prevents premature release.

Rotating sleeve adjusts for multiple pipe sizes.

TopLatch mechanism for additional safety

“Lock-out/Tag-out” capability for operator safety

  
**Timberline Tool**<sup>®</sup>  
[www.timberlinetool.com](http://www.timberlinetool.com)  
**800-735-6845**

### Timberline TC2-S

Large Hand Tool

Length: 26.0 in (60.0 cm)

Width: 9.0 in (22.9 cm)

Weight: 12.0 lb (5.5 kg)

### Choose 4 pipe sizes.

Effective on Pipe Sizes

1/2" to 2" (12mm to 63mm) IPS

1/2" to 2" (12mm to 63mm) CTS