



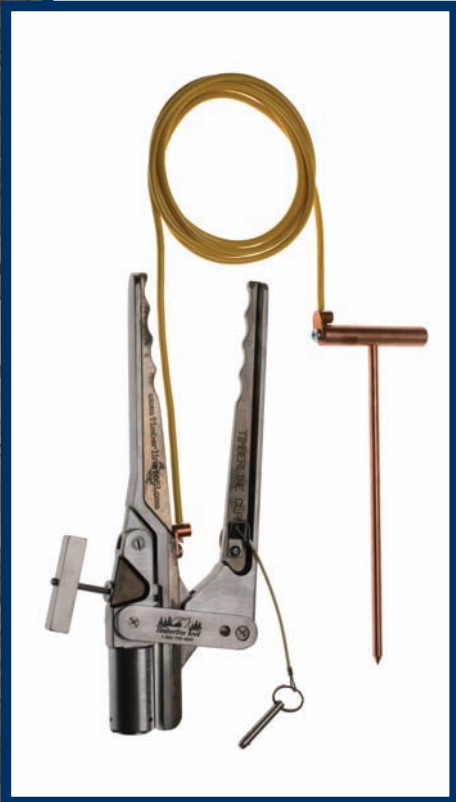
# Top-down Squeeze-off Solutions

www.timberlinetool.com  
1.800.735.6845

for PE Pipe up to 1"

## Timberline TC1-SR

With Slow Release!

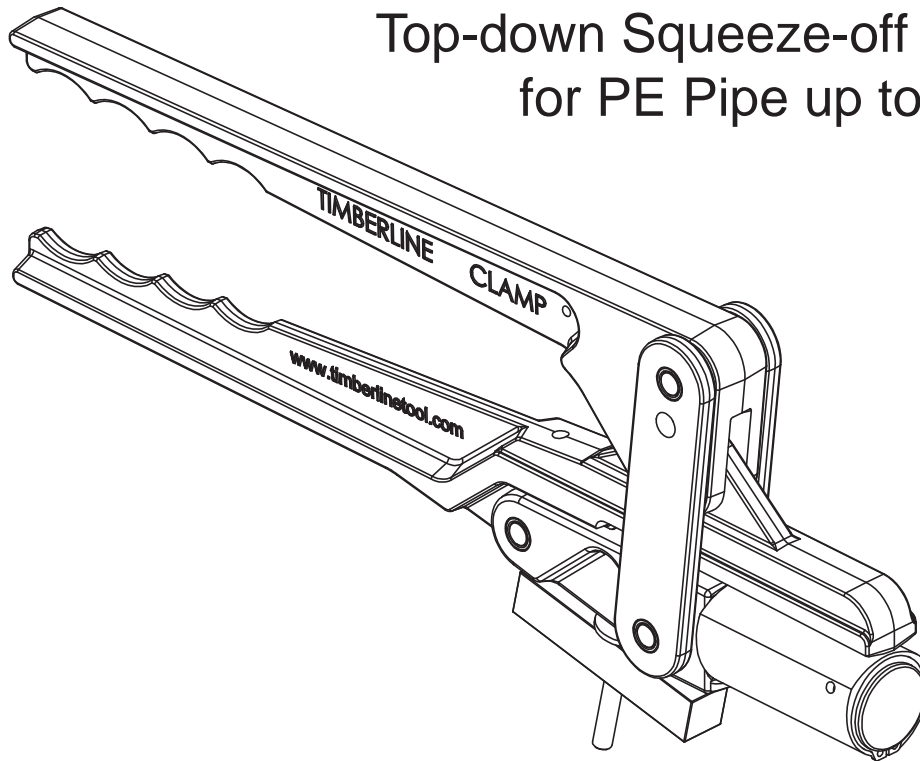


\*\* Shown with optional grounding rod and safety pin \*\*

*Innovative Tool Technology*

# TC1-SR Specifications

## Top-down Squeeze-off Solutions for PE Pipe up to 1"



Slow Release Mechanism allows operator to control rate of release.

Mechanical operation for ease of use.

Top-down application requiring no under-the-pipe excavation.

Light weight for manual placement and operation by one person.

Aircraft-grade aluminum for high strength, corrosion resistance, and durability.

Large jaw radius provides squeeze-off at 15% pipe wall compression.

Self-locking mechanism prevents premature release.

Rotating sleeve adjusts for multiple pipe sizes.

“Lock-out/Tag-out” capability for operator safety



### Timberline TC1-SR

Small Hand Tool

Length: 15.0 in (38.1 cm)

Width: 5.5 in (14.0 cm)

Weight: 3.0 lb (1.4 kg)

### Choose 3 pipe sizes.

Effective on Pipe Sizes

1/2" to 1" (12mm to 32mm) IPS

1/2" to 1" (12mm to 32mm) CTS