



www.timberlinetool.com
1.800.735.6845

Top-down Squeeze-off Solutions

for PE Pipe up to 1"

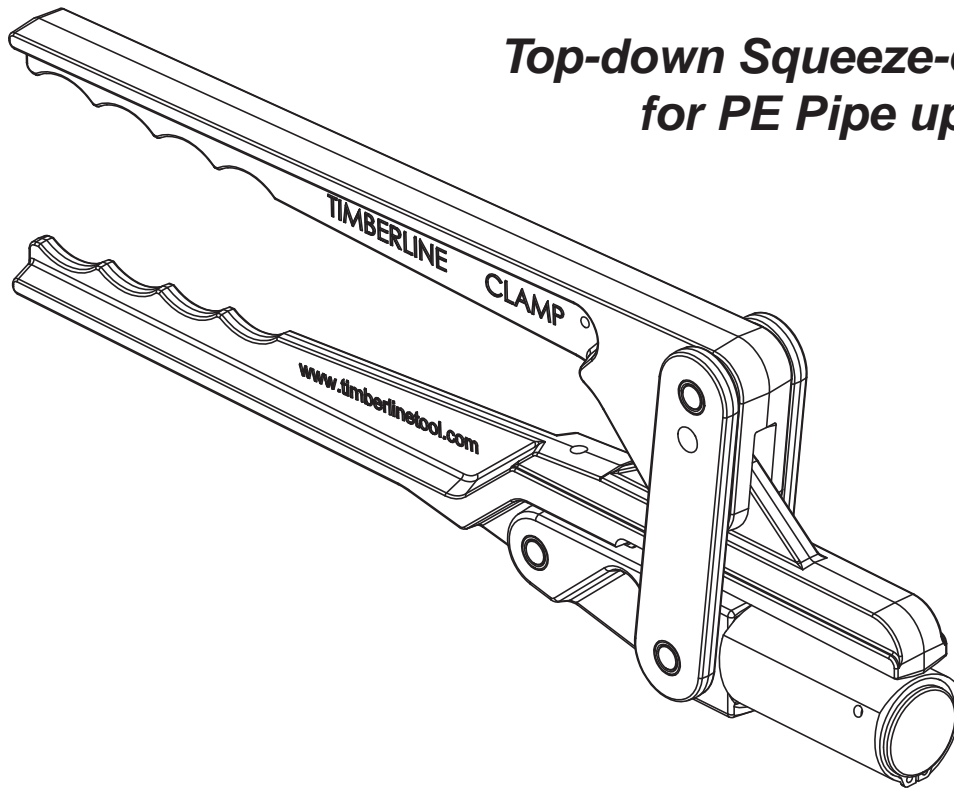
Timberline TC1-S



Innovative Tool Technology

TC1-S Specifications

*Top-down Squeeze-off Solutions
for PE Pipe up to 1"*



Mechanical operation for ease of use.

Top-down application requiring no under-the-pipe excavation.

Light weight for manual placement and operation by one person.

Aircraft-grade aluminum for high strength, corrosion resistance, and durability.

Large jaw radius provides squeeze-off at 15% pipe wall compression.

Self-locking mechanism prevents premature release.

Rotating sleeve adjusts for multiple pipe sizes.

"Lock-out/Tag-out" capability for operator safety



Timberline TC1

Small Hand Tool

Length: 15.0 in (38.1 cm)

Width: 5.5 in (14.0 cm)

Weight: 3.0 lb (1.4 kg)

Choose 3 pipe sizes.

Effective on Pipe Sizes

1/2" to 1" IPS

1/2" to 1-1/4" CTS