



*Quick, Safe, Effective
Shut-off of Water Flow*

Timberline FFV2 Fire Hose Clamp



For 2" to 3" Fire Hose

Innovative Tool Technology



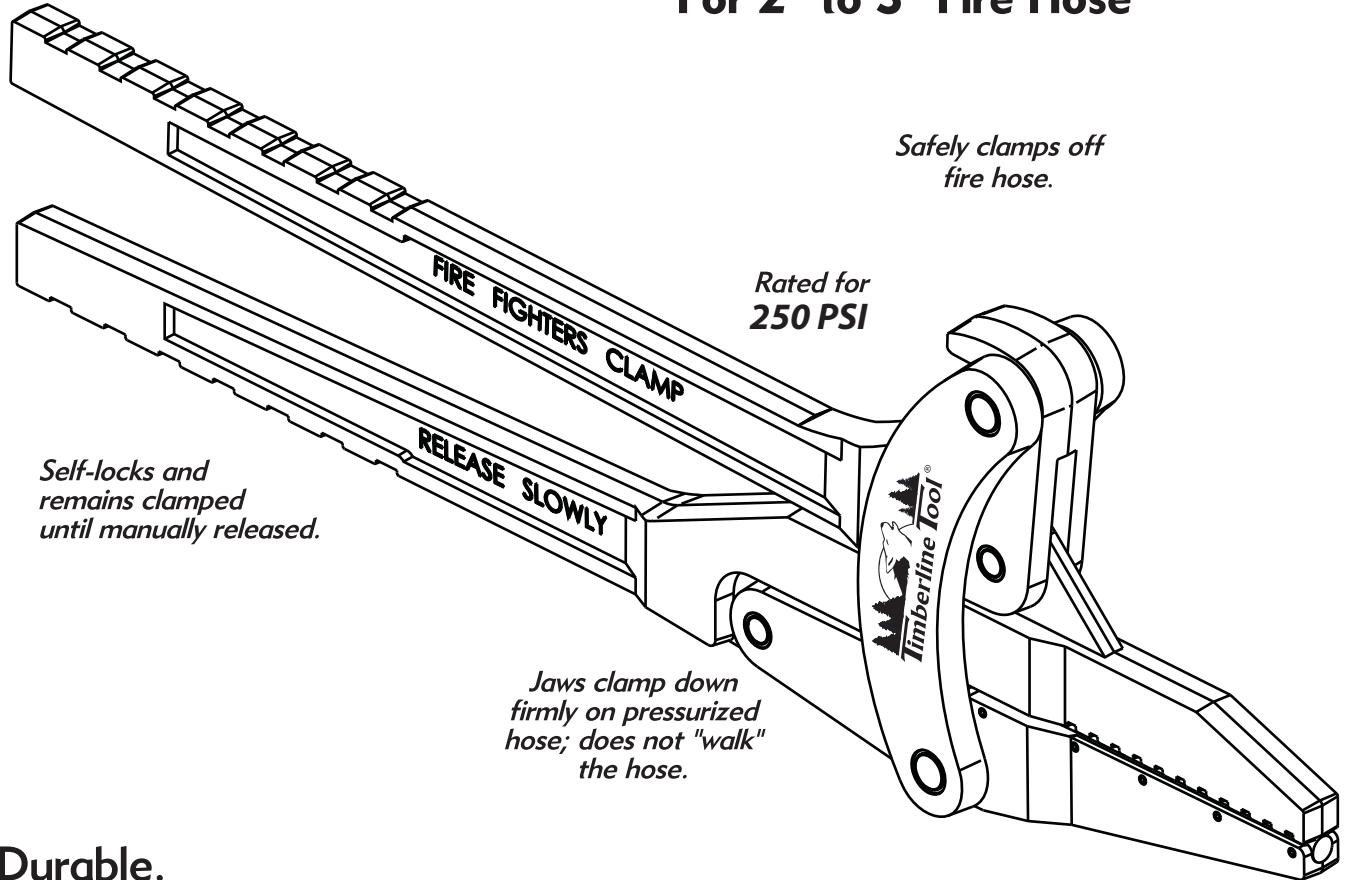
www.timberlinetool.com

800-735-6845

**Safe, Quick, Effective
Shut-Off of Water Flow**

FFV2 Fire Hose Clamp

For 2" to 3" Fire Hose



*Safely clamps off
fire hose.*

*Rated for
250 PSI*

*Self-locks and
remains clamped
until manually released.*

*Jaws clamp down
firmly on pressurized
hose; does not "walk"
the hose.*

*Insert in lower jaw
prevents hose
damage.*

Durable.

Cast of high strength, corrosion resistant aluminum alloy

Portable.

Light and compact enough to carry on a belt or web gear.

Effective.

Clamps off the flow of water in one quick step without damaging the hose

Convenient.

Useful when adding, removing or replacing hose sections, changing nozzles, etc.

Size:

Width: 8.0 in (20.3 cm)

Length: 22.0 in (55.9 cm)

Weight: 5.0 lb (2.3 kg)

FFV2 Model:

for double jacket fire hose from 2" to 3" in diameter. Rated for 250 psi.

For U.S. Government purchasers: Defense Logistics Agency (DLA) National Stocking Number (NSN) 4210 0141 51022