



***Quick, Safe, Effective
Shut-off of Water Flow***

Timberline FF1 Fire Hose Clamp



For Fire Hose up to 1-3/4"

Innovative Tool Technology



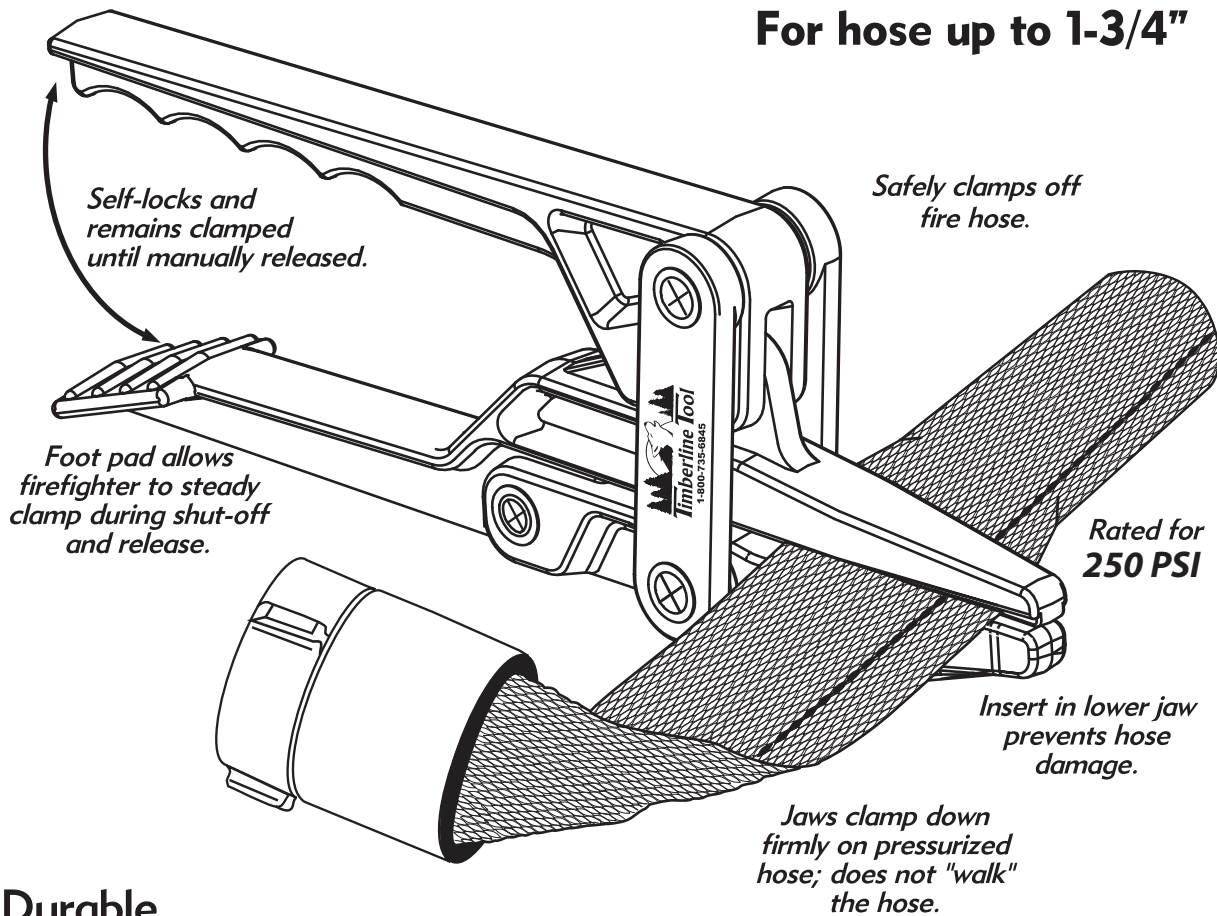
www.timberlinetool.com

800-735-6845

**Safe, Quick, Effective
Shut-Off of Water Flow**

Timberline Fire Hose Clamp

For hose up to 1-3/4"



Durable.

Cast of high strength, corrosion resistant aluminum alloy

Portable.

Light and compact enough to carry on a belt or web gear.

Effective.

Clamps off the flow of water in one quick step without damaging the hose

Convenient.

Useful when adding, removing or replacing hose sections, changing nozzles, etc.

SIZE

Width: 4.0 in (10.2 cm)
Length: 12.0 in (30.5 cm)
Weight: 1.5 lb (0.7 kg)

TWO MODELS AVAILABLE:

FF1-S for single jacket and synthetic hose up to 1-3/4 in.
FF1-D for double jacket hose up to 1-3/4 in.

For U.S. Government purchasers: Defense Logistics Agency (DLA) National Stocking Number (NSN) 4210 0141 51022