

## Tracer-Lock System Model TRTW5

# Instruction Manual



For your personal safety READ and UNDERSTAND instructions before using tools.  
SAVE these instructions for future reference.

## INTRODUCTION

Timberline Tracer-Lock System is designed to connect tracer wires placed near buried utilities, such as plastic natural gas pipes, for the purpose of locating these utilities. The Timberline Tracer-Lock system provides a simple and reliable electrical connection between the connected tracer wires. The Tracer-Lock system consists of a proprietary stainless tool and plastic tracer wire connectors that can be installed remotely in a single step without stripping of the tracer wire.

Please read the following suggested procedure for using Timberline Tracer-Lock tools.

## GENERAL SAFETY RULES

### *For all Tracer-Lock Tools*

READ and UNDERSTAND all instructions. Failure to follow all instructions listed below may result in serious personal injury and/or damage to the tool.

## SAFETY INSTRUCTIONS

SAVE THESE FOR FUTURE REFERENCE

### *Workplace Safety*



Prior to using any Tracer-Lock tool please review and follow applicable company and OSHA safety procedures.

Safety first. Timberline tools must be used by qualified, trained personnel only.

### *Specific Tool Safety*



If you have used other Timberline products please be aware that the operation of this tool may differ from others and that you may need to follow different rules. Always consult the manual to insure you are following the correct safety instructions to avoid personal injury.

### *Tool Usage Safety*

Do not force the tool to perform a Tracer-Lock connection. The tool will operate safer and better if these instructions are followed.

Maintain the tool with care. A properly maintained tool will be less likely to cause damage and is easier to control.

Check for misalignment, binding of parts, breakage of parts, and other conditions that might affect the operation of the tool. Accidents may be caused by improperly maintained tools.

Failure to use the TRTW5 in the manner specified in this manual may result in injury and/or permanent damage to the tool.

### *Tool Service Safety*



Tool service must only be performed by qualified repair personnel. Service or maintenance performed by unqualified personnel could result in a risk of injury.

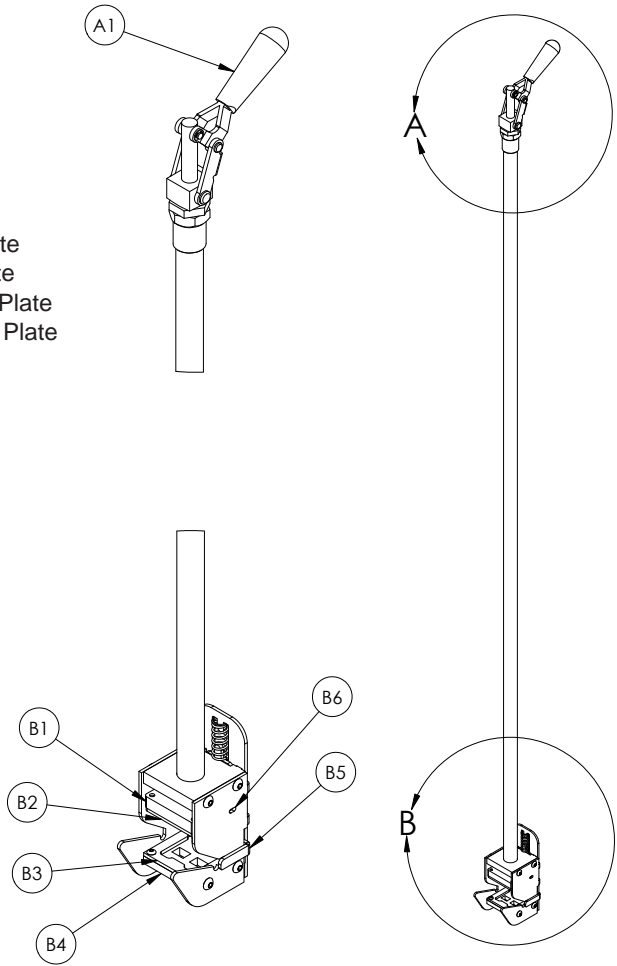
## TRTW5 DIAGRAM

### *Detail A*

- A1 – Handle

### *Detail B*

- B1 – Top Press Plate
- B2 – Top Snap Plate
- B3 – Bottom Snap Plate
- B4 – Bottom Press Plate
- B5 – Holding Arm
- B6 – Detent



Familiarize yourself with all parts, names, and numbers. Refer to this diagram for the assembly and operation procedures that follow.

## OPERATING INSTRUCTIONS

1. Start by moving the **handle** (A1) to the load position. (*Fig. 1*)



*Fig. 1*

You will feel the **top press plate** (B1) snap into the **detent** (B6).



*Fig. 2*

2. First make sure the tap wire hole is facing to the right, towards the **holding arm** (B5). (*Fig. 2*)

Place the connector bottom's leading edge into the **bottom snap plate** (B3) (*Fig. 3*) and push back and down to snap into position.



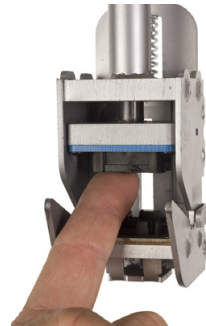
**NOTE**

The connector bottom should be held flush against the **bottom press plate** (B4).



*Fig. 3*

3. Place the connector top's leading edge into the top snap plate (B2), and push back and up to snap into position. The connector top should be held flush against the top press plate (B1). (*Fig. 4*)



*Fig. 4*

4. Push up on the bottom of the ejector and holding arm (B5) just far enough to insert the tap wire under the holding arm. (**Fig. 5**)

Insert the tap wire into the tap wire hole in the connector bottom. (**Fig. 6**)

5. Once the tap wire is firmly inserted into the connector bottom release the ejector and holding arm (B5) so that the holding arm is applying pressure onto the tap wire. (**Fig. 7**)

6. Hook onto the tracer wire through the keyhole. Pull up gently applying tension on the existing trace wire. This will locate the wire into the connector. (**Fig. 8**)

7. Push the handle (A1) all the way forward to crimp. (**Fig. 8**)

8. Pull the handle (A1) all the way back to eject the connector from the tool. (**Fig. 8**)



**Fig. 5**



**Fig. 6**



**Fig. 7**



**Fig. 8**

## SERVICE

### *After every 10 uses:*

1. Apply a small amount of light oil to the moving parts near the handle.
2. Lubricate the pins and bushings with light oil.



### **NOTE**

If you have questions, please feel free to contact our customer service representatives at 1-800-735-6845 or by email at [service@timberlinetool.com](mailto:service@timberlinetool.com).

## TIMBERLINE LIMITED WARRANTY

### *Warranty Policy*

Every product manufactured by Timberline Tool is thoroughly inspected and tested before leaving the factory. Our products are warranted to be free of defects from workmanship and materials for the period of ONE YEAR from the date of original purchase. Should any trouble develop on our tools, handles, or accessories during this one-year period please call 800.735.6845 to obtain return authorization for repair. If inspection shows the trouble is caused by defective workmanship or material, Timberline Tool will repair or, at our option, replace the product without charge.

This Warranty does not apply where:

- Repairs have been made or attempted by others.
- Repairs are required because of normal wear and tear.
- The tool has been abused, misused, or improperly maintained.
- Alterations have been made to the tool.

IN NO EVENT SHALL TIMBERLINE TOOL BE LIABLE FOR ANY INDIRECT, INCIDENTAL OR CONSEQUENTIAL DAMAGES FROM THE SALE OR USE OF THE PRODUCT. THIS DISCLAIMER APPLIES BOTH DURING AND AFTER THE TERM OF THIS WARRANTY.

TIMBERLINE TOOL DISCLAIMS LIABILITY FOR ANY IMPLIED WARRANTIES, INCLUDING IMPLIED WARRANTIES OF "MERCHANTABILITY" AND "FITNESS FOR A SPECIFIC PURPOSE," AFTER THE ONE-YEAR TERM OF THIS WARRANTY.

This Warranty gives you specific legal rights, and you may also have other rights which vary from state to state. Some states do not allow the exclusion or limitation of incidental or consequential damages, so the above limitation or exclusion may not apply to you. Some states do not allow limitation on how long an implied warranty lasts, so the above limitation may not apply to you.



***Timberline Tool***™

**800-735-6845**



(406)755-4258



(406)257-2711

[www.timberlinetool.com](http://www.timberlinetool.com)

90 Conestoga Ct. Kalispell, MT 59901 USA