



TIMBERLINE
TOOL®

EXPERT
EXTERNAL • PE PIPE • REPAIR • TOOL

800-735-6845

TIMBERLINE EXPERT

FOR 3" TO 6" PE GAS PIPE



**Repair
without having
to replace!**

**Keyhole
compatible**



Innovative Tool Technology

EXPERT

EXTERNAL • PE PIPE • REPAIR • TOOL

External PE Pipe Repair Solution for 3" to 6" PE Gas Pipe

- Repairs all types of polyethylene (PE) pipe
- Solves emergency PE pipe repair problems due to third party damage, etc.
- Repairs scrapes, nicks, gouges, punctures and faulty butt fusion joints
- Stops gas leak immediately when tool is closed over the damaged pipe
- Permanent, external repair (thermo chemical bond) for damaged PE pipe.
- Requires minimal pipe preparation; installs over dirt and oxidized PE pipe
- Mechanical tool with curved jaws applies a thermo-chemical PE patch
- Curved patch fits over the pipe & completely encapsulates the leaking pipe segment.
- No need to shut-off the flow of gas
- Smaller excavations required
- Requires less repair time
- No loss of service to customer
- Works in keyhole and in-trench operations
- Substantial cost savings over traditional repair methods

The EXPERT System includes:

(1) Repair Tool, (1) PLC Controller, and (6) Repair Patches

Repair Tool Specifications:

Length: 6.0 ft (2.2 m) - custom lengths available

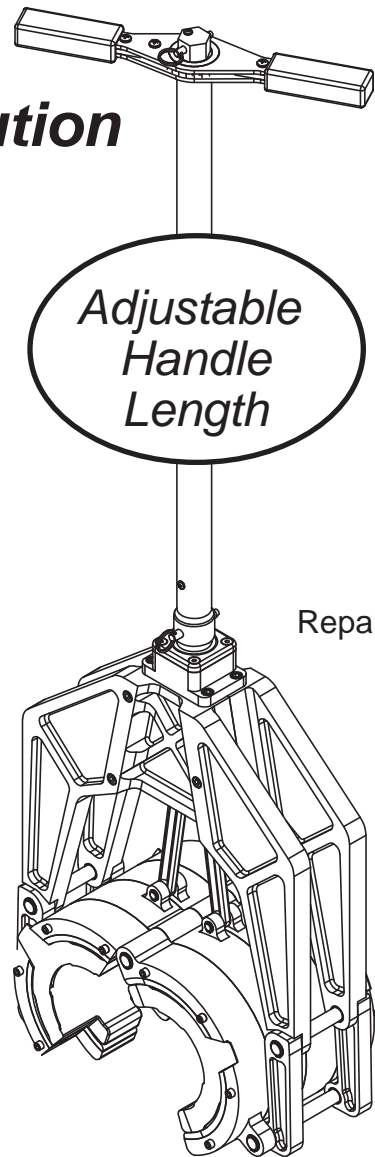
Width: 17.0 in (43.2 cm)

Weight: 55.0 lb (25.0 kg)

TIMBERLINE
TOOL®

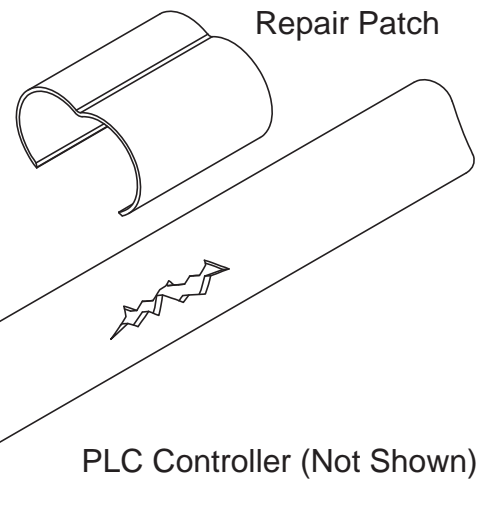
www.timberlinetool.com

800-735-6845



Adjustable
Handle
Length

Repair Tool



Repair Patch

PLC Controller (Not Shown)

Innovative Tool Technology